



**Electrolux**  
PROFESSIONAL

## Standard Preparation 1600 mm Table with 3 Right Drawers & Sliding Doors

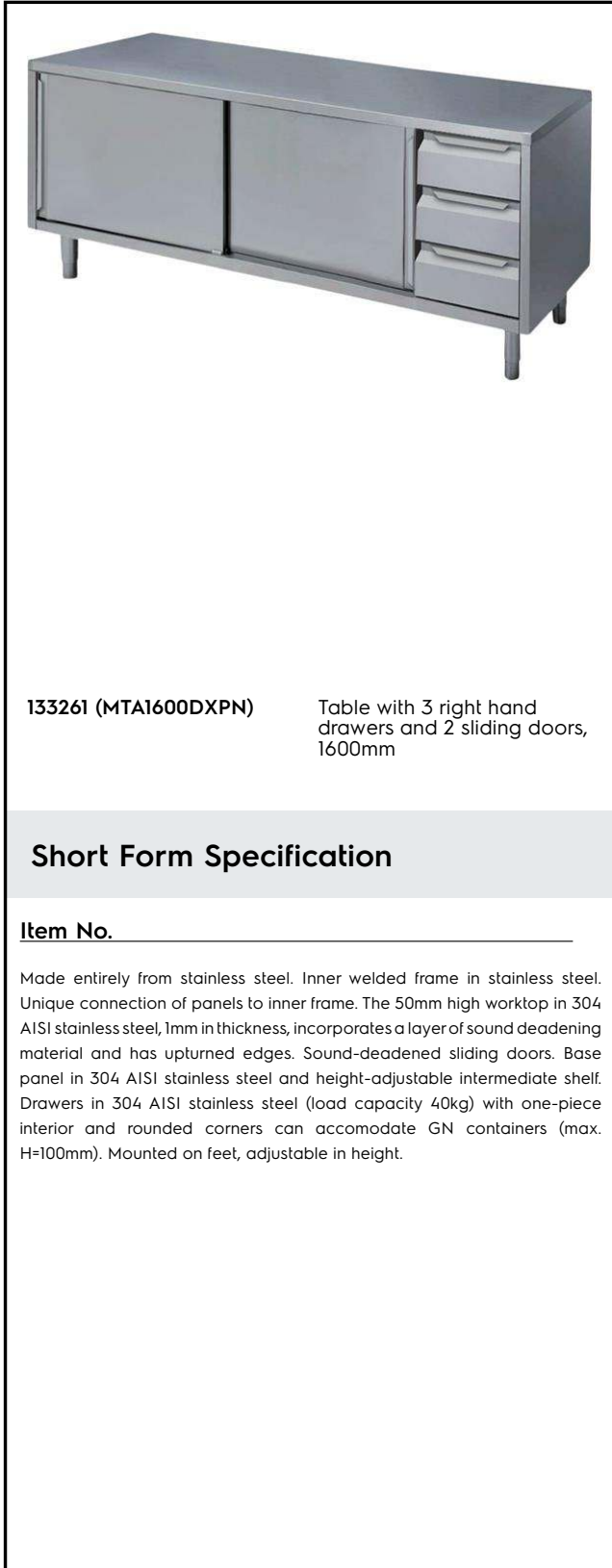
ITEM # \_\_\_\_\_

MODEL # \_\_\_\_\_

NAME # \_\_\_\_\_

SIS # \_\_\_\_\_

AIA # \_\_\_\_\_



133261 (MTA1600DXPN)

Table with 3 right hand  
drawers and 2 sliding doors,  
1600mm

### Short Form Specification

Item No. \_\_\_\_\_

Made entirely from stainless steel. Inner welded frame in stainless steel. Unique connection of panels to inner frame. The 50mm high worktop in 304 AISI stainless steel, 1mm in thickness, incorporates a layer of sound deadening material and has upturned edges. Sound-deadened sliding doors. Base panel in 304 AISI stainless steel and height-adjustable intermediate shelf. Drawers in 304 AISI stainless steel (load capacity 40kg) with one-piece interior and rounded corners can accommodate GN containers (max. H=100mm). Mounted on feet, adjustable in height.

### Main Features

- Ideal for central positioning in the kitchen, either as island installation or back to back.

### Construction

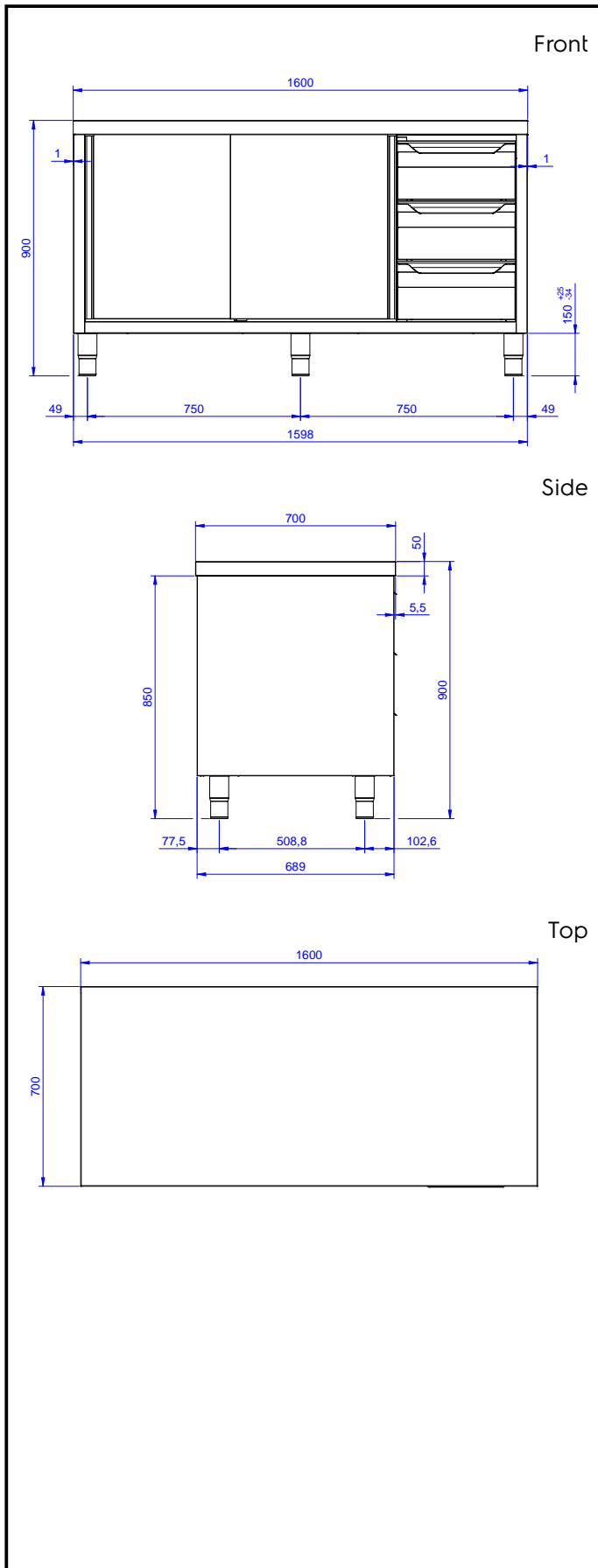
- Inner welded frame in stainless steel to guarantee superior strength and stability.
- Easy access to the cupboard interior on all lengths guaranteed by the use of only 2 doors.
- 50 mm worktop in 304 AISI stainless steel with upturned edges, incorporates an 18 mm layer of sound deadening material.
- Reinforced side and base panel in 304 AISI stainless steel.
- Equipped with intermediate shelf which can be positioned at three different heights.
- Sturdy sound-deadened sliding doors on tracks located flush to the front of the frame.
- 304 AISI stainless steel feet, 200 mm high and 54 mm in diameter, adjustable by -50/+30 mm.
- Drawers in AISI 304 stainless steel with one-piece interior and rounded corners to facilitate cleaning and improve hygiene can hold GN containers with a maximum height of 100 mm. Maximum load capacity of 40 kg.
- Heavy duty Stainless steel construction.

### Optional Accessories

APPROVAL: \_\_\_\_\_



Experience the Excellence  
[www.electroluxprofessional.com](http://www.electroluxprofessional.com)



### Key Information:

<b>Cabinet width:</b>		
133261 (MTA1600DXPN)	1110 mm	
<b>Cabinet depth:</b>	645 mm	
<b>Cabinet height:</b>	595 mm	
<b>External dimensions, Width:</b>	1600 mm	
<b>External dimensions, Depth:</b>	700 mm	
<b>External dimensions, Height:</b>	900 mm	
<b>Number and type of doors:</b>	2 Sliding	
<b>Worktop thickness:</b>	50 mm	
<b>Net weight:</b>	70 kg	